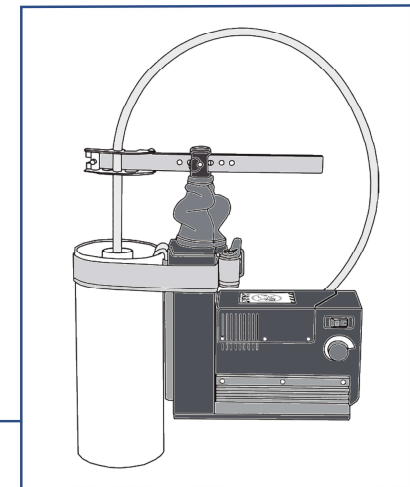
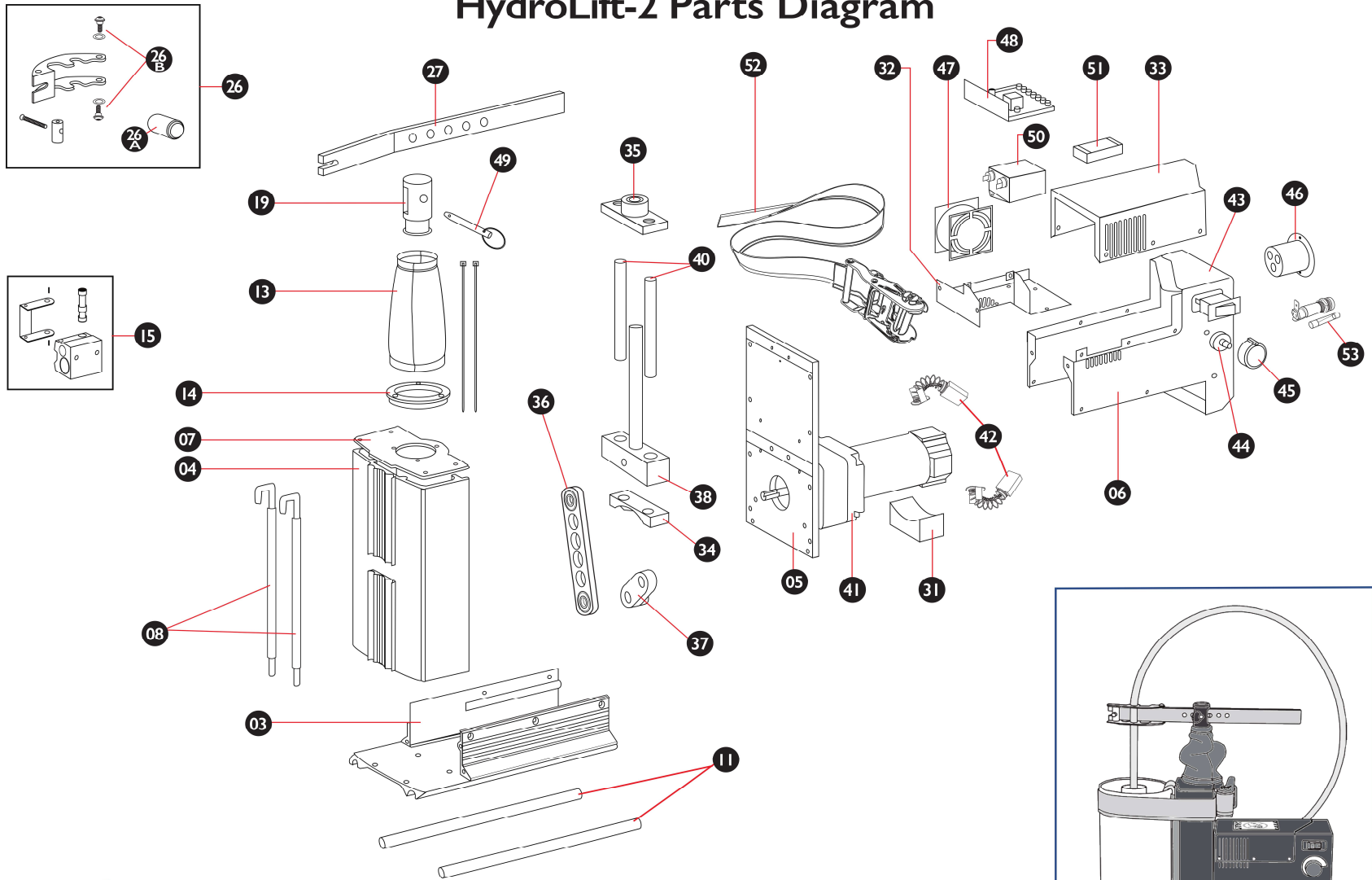


No.	Part No.	Description	No.	Part No.	Description
04	hl-part 04	front cover	37	hl-part 37	short crank arm
05	Support plate	special order	38	hl-part 38	sliding block
06	Enclosure rear	special order	40	hl-part 40	slide rails set
07	hl-part 07	special order	41	hl-part 41	stature motor
08	hl-part 08	front hook set	42	hl-part 42	brush set for stature motor
10	hl-part 10	rubber sleeves for part 8 (pair)	43	hl-part 43	on / off switch
11	hl-part 11	rubber foot (pair)	44	hl-part 44	potentiometer
13	hl-part 13	neoprene boot	45	hl-part 45	speed control knob
14	hl-part 14	flange for boot	46	hl-part 46	recessed power receptacle
15	hl-part 15	side discharge clamp	47	hl-part 47	fan
19	hl-part 19	fork (clamp arm support)	48	hl-part 48-110	minarik PWM 110 volt controller
26	hl-part 26	clamp bracket		hl-part 48-220	minarik PWM 220 volt controller
	hl-part 26 & 27	complete clamp arm assembly			
	hl-part 26a	knob RHT clamp	49	hl-part 49	hitch pin
	hl-part 26b	clamp fasteners	50	hl-part 50	RFI Filter for 220 Volt Hydrolift
27	hl-part 27	clamp arm only	51	hl-part 51	110 volt MOV (V151DB40)
31	Motor bumper	special order		hl-part 51a	220 volt MOV (V251DB40)
32	hl-part 32	support bracket for controller	52	hl-part 52	Ratchet Tie Down Belt
33	Rear lid	special order		hl-part 52a	standoff mount for ratchet belt
34	hl-part 34	lower rail support	53	hl-part 53	fuse holder
35	hl-part 35	upper rail support		hl-part 53a	fuse (SB 7A 250V 6.3 x 32mm)
36	hl-part 36	long crank arm			
	hl-part 36a	replacement bearings for crank arm			

HydroLift-2 Parts Diagram



waterra

Groundwater Monitoring Equipment & Supplies

Waterra Pumps Limited 5200 Dixie Road, Unit 17 Mississauga, ON Canada L4W 1E4
 tel: 905.238.5242 • fax: 905.238.5704
 email: sales@waterra.com • web: www.waterra.com